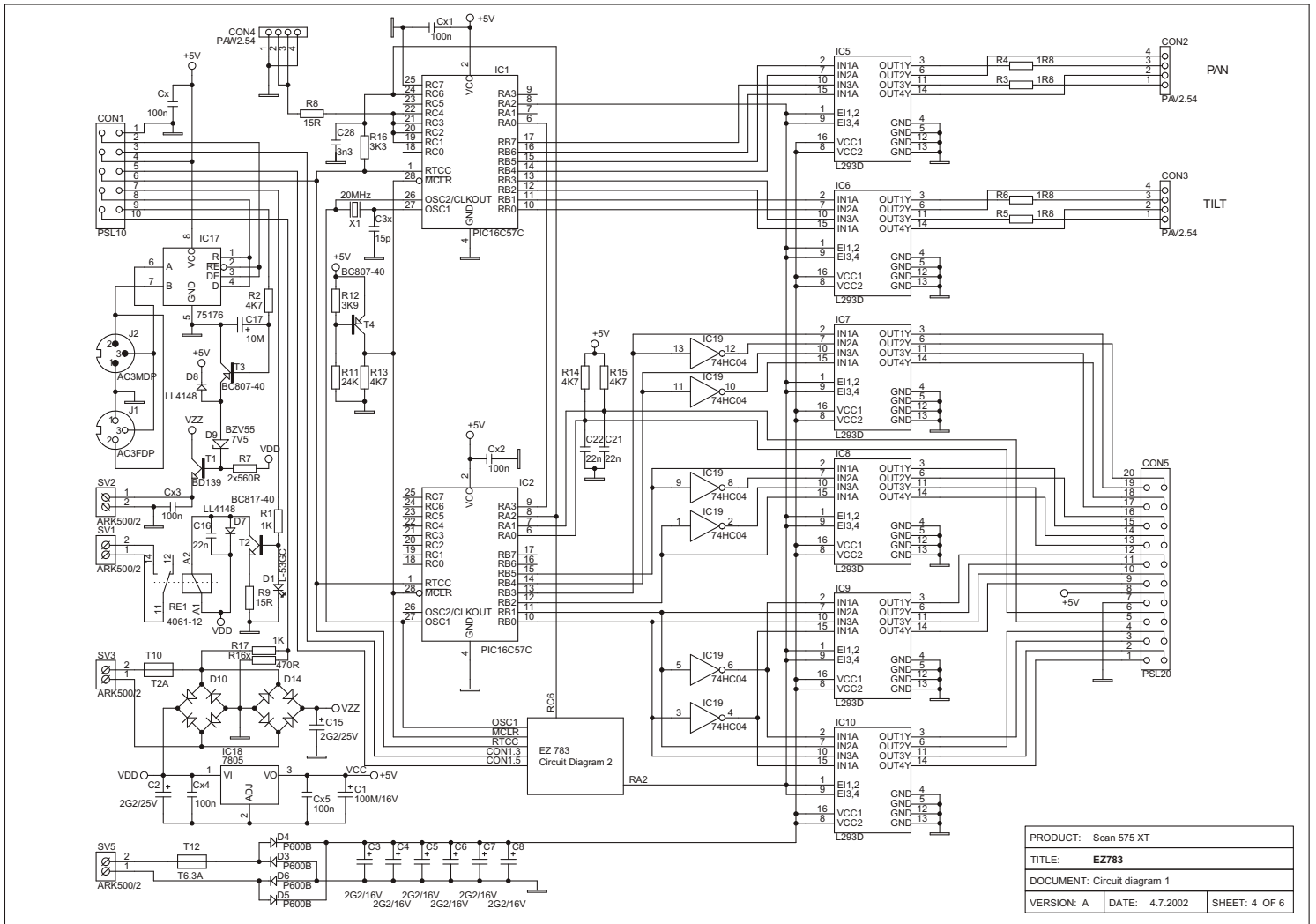
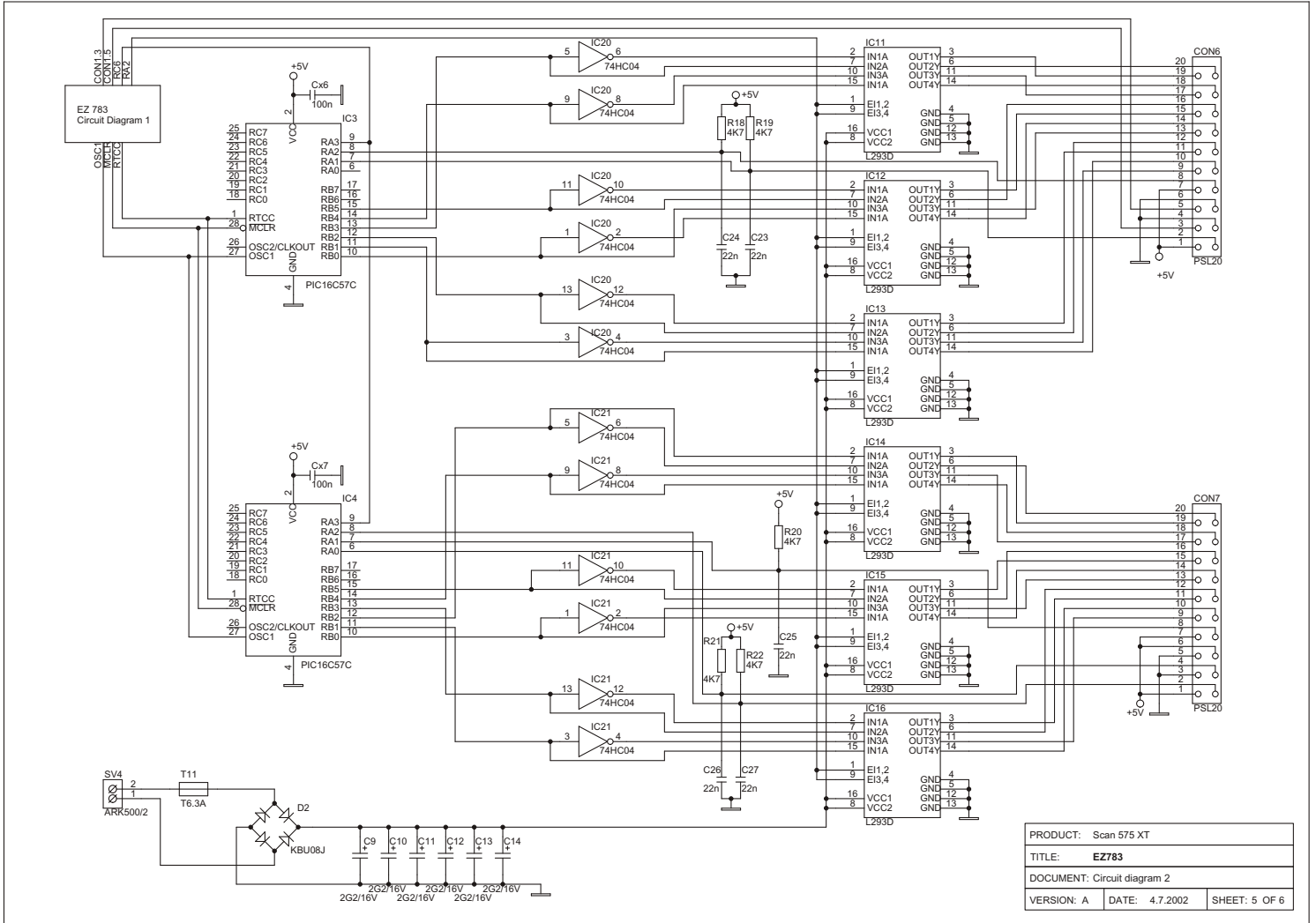
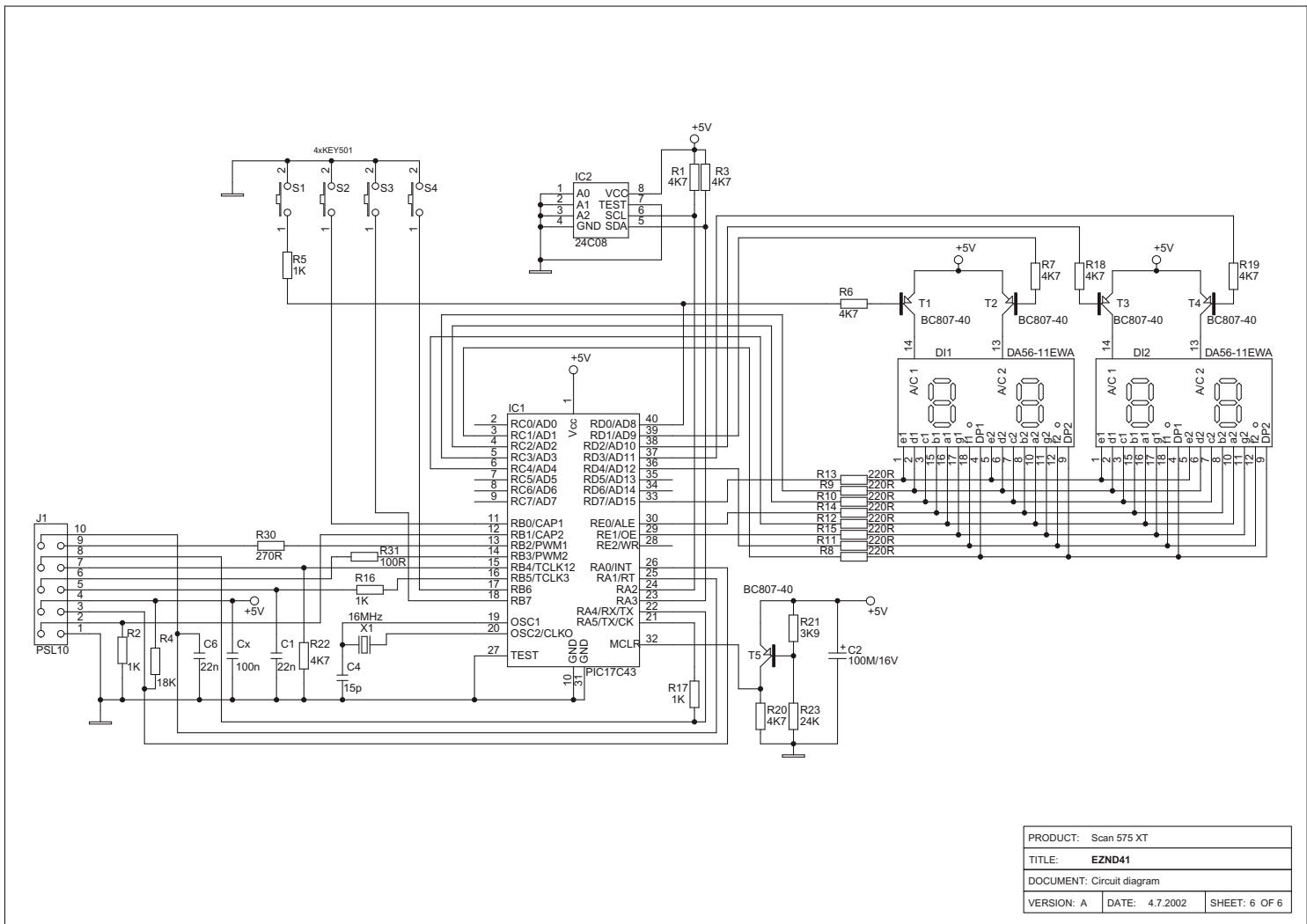


PRODUCT: Scan 575 XT		
TITLE: Wiring diagram E2		
DOCUMENT: Wiring diagram		
VERSION: A	DATE: 4.7.2002	SHEET: 3 OF 6



PRODUCT:	Scan 575 XT
TITLE:	EZ783
DOCUMENT:	Circuit diagram 1
VERSION:	A
DATE:	4.7.2002
SHEET:	4 OF 6





PRODUCT: Scan 575 XT		
TITLE: EZND41		
DOCUMENT: Circuit diagram		
VERSION: A	DATE: 4.7.2002	SHEET: 6 OF 6